

Stand: 04/11

Unregulated
Case Style: SIP 7

INDUSTRIAL DC/DC Converters SHORT CIRCUIT PROOF

1 Watt / 2 Watt
Series: FS7U

Electrical specifications:

Input voltage range: +/- 10%
Output voltage accuracy: +/- 5% @ 50% Load
Line Vin/Vout: +/- 1% / +/-1%
Output voltage change: 3,3V, 5V output types 15% max.
(10% to 100% full load) 2W 5V input series 15% max.
9V ~ 24V output types 10% max.
Output Ripple & Noise: 1W: 150mVp-p // 2W: 200mVp-p
Ambient temperature: -40°C to +71°C
Operating temperature: max. 95°C
L - Version: Ambient 0°C to 71°C

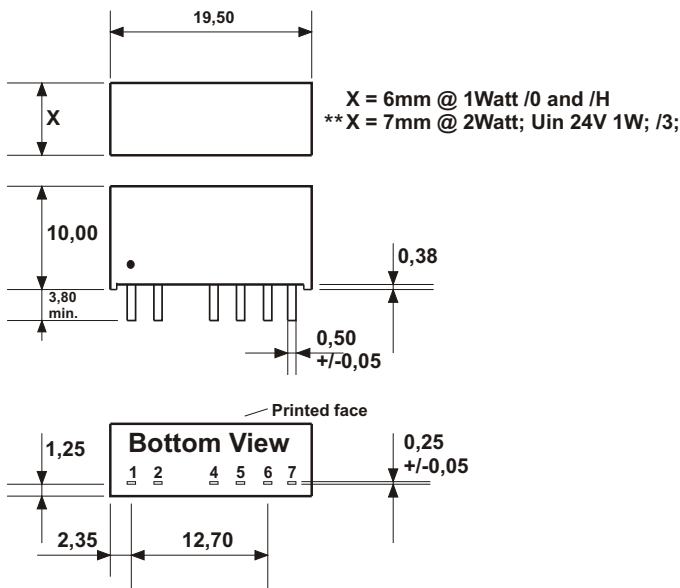
Efficiency: min. 66%
Short circuit protection: continuous
Insulation test voltage: 2000V DC
Optional:
Part-Nr. /0 no short circuit protection
Part-Nr. /H Insulation voltage optional 3000V DC
**Part-Nr. /3: Test voltage optional 3000V AC rms
Part-Nr. /8: asymmetric load
Part-Nr. /2: 0,25W output power
Part-Nr. /5: 0,5W output power
Part-Nr. /9: Ambient temperature -40°C to +85°C

CAUTION: NO INPUT POLARITY CHANGE ALLOWED!

Single Output			1 Watt	2 Watt**	Dual Output			1 Watt	2 Watt**
Part - No.	Input Voltage	Output Voltage	Output current	Output current	Part - No.	Input Voltage	Output Voltage	Output current	Output current
FS7U-0505	5V	5V	200mA	400mA	FS7U-0505D	5V	+/- 5V	+/-100mA	+/-200mA
FS7U-0512		12V	83mA	166mA	FS7U-0512D		+/-12V	+/- 41mA	+/- 83mA
FS7U-0515		15V	66mA	132mA	FS7U-0515D*		+/-15V	+/- 33mA	+/- 66mA
FS7U-1205	12V	5V	200mA	400mA	FS7U-1205D	12V	+/- 5V	+/-100mA	+/-200mA
FS7U-1212		12V	83mA	166mA	FS7U-1212D		+/-12V	+/- 41mA	+/- 83mA
FS7U-1215		15V	66mA	132mA	FS7U-1215D		+/-15V	+/- 33mA	+/- 66mA
FS7U-1505	15V	5V	200mA	400mA	FS7U-1505D	15V	+/- 5V	+/-100mA	+/-200mA
FS7U-1512		12V	83mA	166mA	FS7U-1512D		+/-12V	+/- 41mA	+/- 83mA
FS7U-1515		15V	66mA	132mA	FS7U-1515D		+/-15V	+/- 33mA	+/- 66mA
FS7U-2405	24V**	5V	200mA	400mA	FS7U-2405D	24V**	+/- 5V	+/-100mA	+/-200mA
FS7U-2412		12V	83mA	166mA	FS7U-2412D		+/-12V	+/- 41mA	+/- 83mA
FS7U-2415		15V	66mA	132mA	FS7U-2415D		+/-15V	+/- 33mA	+/- 66mA
FS7U-2424		24V	41mA	82mA					

L - Version 1W: lin (no load) ~ 14mA *
2W: lin (no load) ~ 22mA *

Any other input & output voltages available
(for example 3,3V)



PIN CONNECTION					
PIN	SINGLE	SINGLE A*	SINGLE /3* SINGLE /H* SINGLE /B*	DUAL	DUAL /3* DUAL /H* DUAL /B*
1	VCC	VCC	VCC	VCC	VCC
2	GND	GND	GND	GND	GND
3	NP	NP	NP	NP	NP
4	NC	-Vout	NP	-Vout	NP
5	-Vout	NC	-Vout	COM	-Vout
6	+Vout	+Vout	NP	+Vout	COM
7	NP	NP	+Vout	NP	+Vout

* For other pinning add "A" or "/3" or "/H" to the end of Partnumber, for example: FS7U-0505A, FS7U-0505/3

ALL DIMENSIONS IN MM
MILLIMETERS +/- 0,25mm
All pins on a 2,54mm pitch
Note: NP = No pin; NC = No connection;
Dot denotes pin 1

Input capacitor 4,7µF - 10µF is a must.

Specification may be changed without notice
please contact office for verification

We can offer EMC - Filter
according to EN55011/22 Class B.

DC/DC Converter
 AC/DC Inverters
 Delay-Lines
 Pulsetransformers
 Burst & Surge Filters
 Harmonic Filters
 Switching Power Supplies

Am Malfinger Steig 13
 86920 Denklingen/Obb.
 Germany
 Tel.: 08243-9693-0
 Fax: 08243-9693-33
 www.floeth-electronic.com



Stand: 20/08

Unregulated
 Case Style: SIP 7

INDUSTRIAL DC/DC Converters SHORT CIRCUIT PROOF

1 Watt / 2 Watt
 Series: FS7U

Electrical specifications:

Input voltage range: +/- 10%
 Output voltage accuracy: +/- 5% (Vin=nominal & full load)
 Line Vin/Vout: +/- 1% / +/-1%
 Output voltage change: +/- 10%
 (10% to 100%)
 Efficiency: min. 70%
 Output Ripple & Noise: 1W: 150mVp-p // 2W: 200mVp-p

Short circuit protection: continuous
 Insulation test voltage: 2000V DC
 Temperature: 1W: Ambient -40°C to +71°C
 2W: Ambient -40°C to +71°C
 Operating temperature max. +100°C

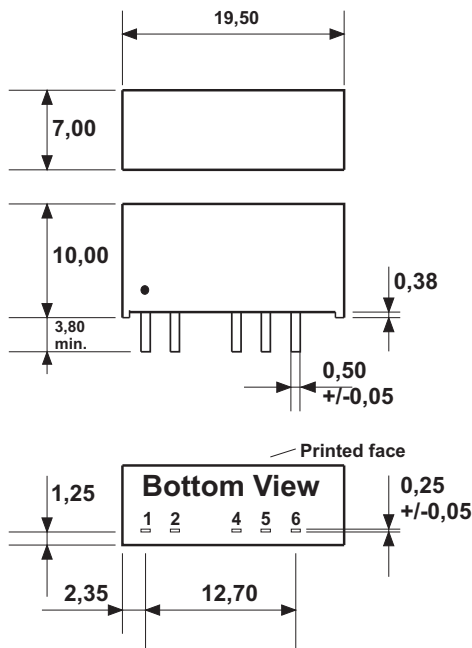
1 Watt

DUAL Output Part - No.	Input Voltage	Output Voltage 1	Output current 1	Output Voltage 2	Output current 2
FS7U-241505	24V	+15V	50mA	-5V	50mA

2 Watt

DUAL Output Part - No.	Input Voltage	Output Voltage 1	Output current 1	Output Voltage 2	Output current 2
FS7U-241505	24V	+15V	100mA	-5V	100mA

Any other output voltages available



PIN CONNECTION	
PIN	DUAL
1	VCC
2	GND
4	-Vout
5	COM
6	+Vout

ALL DIMENSIONS IN MM
 MILLIMETERS +/- 0,25mm
 All pins on a 2,54mm pitch
 Note: NP = No pin; NC = No connection;
 Dot denotes pin 1

Input capacitor 4,7µF - 10µF is a must.

Specification may be changed without notice
 please contact office for verification

We can offer EMC - Filter
 according to EN55011/22 Class B.