

# DANUBE FRM042 series 30-42W Single / Dual Output AC-DC Adaptor

## FEATURES

- Wide Input Voltage 90 to 264 VAC
- Medical safety marks approved
- Internal EMI filter
- Output Voltage Available From 3 VDC Thru 50 VDC
- Meet CEC regulation, efficiency level IV.
- OVP, OLP and short circuit protection
- Desktop style , Class I Insulation



## SPECIFICATIONS

Input voltage.....	90~264VAC
Input Frequency.....	47-63Hz
Withstand Voltage.....	I/P-O/P(V+): 5656VDC, I/P-FG: 2828VDC
Efficiency.....	(Avg. Eff.) Fit requirement for CEC models
Leakage current.....	max. 0.3mA (For Class I)
Working Temp.....	-10 ~50 (derated linearly from 100% load @40 to 75% load @ 50 )
Safety standard.....	UL/EN60601-1, CE, CB
EMI standard.....	FCC Part-18 class B and CISPR-11 EN55011 class B emission Limits
Standard Output Connector.....	DC barrel jack (single output) 4 pins powerdin, non-lock (dual output)
Standard Cable / Length.....	UL2464 / UL1185, 1.2m (depends on model)

Model Number	Output Voltage (VDC)	Output Current (A)	Max. Watts	CEC*
FRM042-S03-x	3~5	10.00~6.00	30W	
FRM042-S05-x	5~6	7.20~6.00	36W	
FRM042-S07-x	6~8	6.00~4.50	36W	
FRM042-S09-x	8~11	4.50~3.27	36W	IV
FRM042-S12-x	11~13	3.82~3.23	42W	IV
FRM042-S15-x	13~16	3.23~2.62	42W	IV
FRM042-S18-x	16~21	2.62~2.00	42W	V
FRM042-S24-x	21~27	2.00~1.56	42W	V
FRM042-S48-x	40~50	1.05~0.84	42W	IV

### Ordering Information

\* Those items with CEC level V(or IV) compliance are also compliant to ErP step 2(or step1).

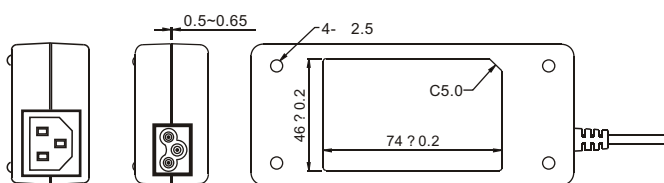
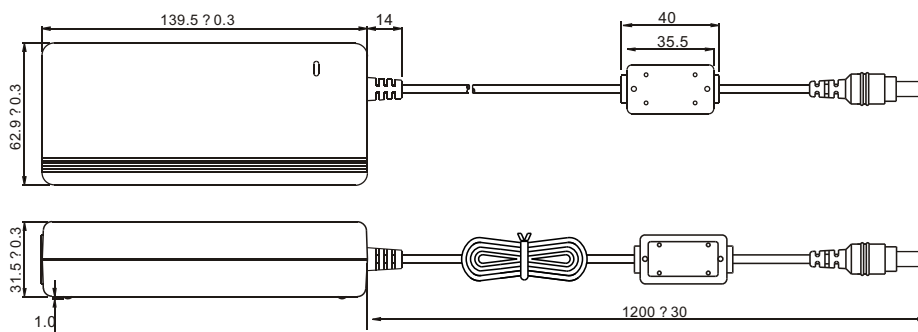
\* CEC compliance model standby power (@no load) < 0.3 W(for V), < 0.5w(for IV)

\* Note: x= Inlet Type code: x= 4,IEC320 C14 x= 6,IEC320 C6.

All Specifications are Typical at Nominal Line, full Load and 25°C. Unless Otherwise Noted.

Dual Output Model Number	Output #1				Output #2				Max. Watts
	Vo nom(VDC)	Io min(A)	Io max(A)	Reg. Max	Vo nom(VDC)	Io min(A)	Io max(A)	Reg. Max	
FRM042-D03-x	+ 3.3	0.5	5	± 7%	+ 12	0.3	2	± 5%	40W
FRM042-D07-x	+ 3.3	0.5	5	± 7%	+ 24	0.2	1	± 5%	40W
FRM042-D13-x	+ 5	0.5	5	± 5%	+ 12	0.3	2	± 5%	40W
FRM042-D15-x	+ 5	0.5	5	± 7%	+ 15	0.3	2	± 5%	40W
FRM042-D17-x	+ 5	0.5	5	± 5%	+ 24	0.2	1	± 5%	40W

## MECHANICAL DRAWING



Output Connector		
		Single
	Pin 1	+ V1
	Pin 2	+ V2
	Pin 3	GND
	Pin 4	GND
	Shield 5	GND+FG